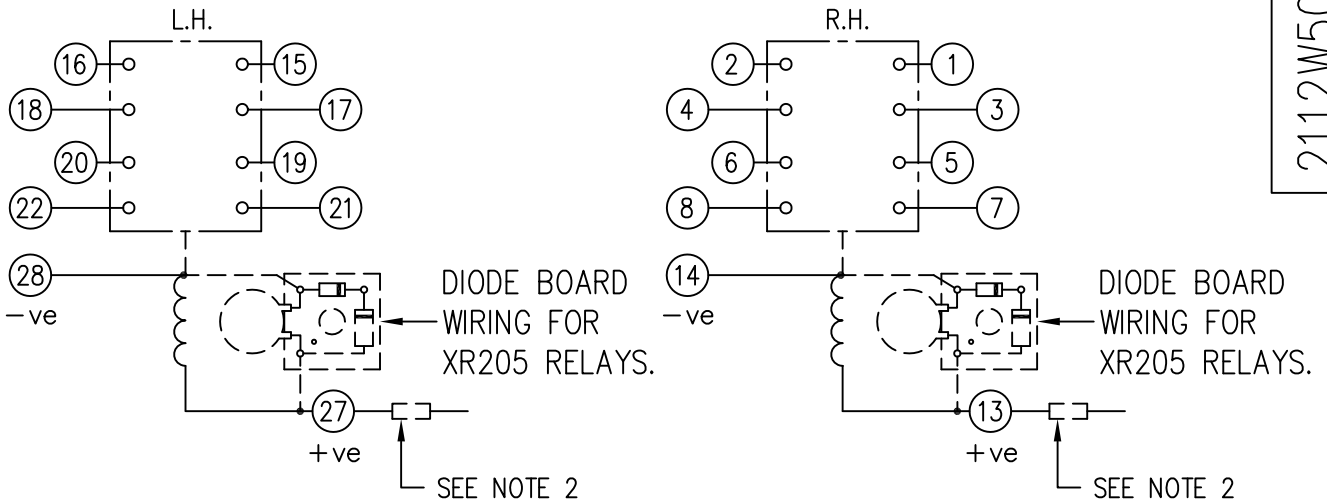


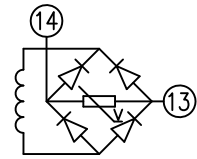
LOOKING ON FRONT OF RELAY



NOTE:

1. HEAVY DUTY CONTACTS ARE FITTED WITH BLOWOUT MAGNETS AND ARE POLARITY CONSCIOUS. SEE TABLE FOR +VE TERMINAL.
2. 125V VERSION HAS EXTERNAL RESISTOR FITTED.

KEY	CONTACT CONFIG.	OUTPUT CONTACT PAIR / TERMINAL No.						NOTE: WHEN RECTIFIER IS SPECIFIED COIL CONNS. ARE AS SHOWN.
	R.H. →	1-3	2-4	5-7	6-8	9-11	10-12	
	L.H. →	15-17	16-18	19-21	20-22	23-25	24-26	
⊖⊖ make contact	4M	M	M	M	M			
⊖⊖ break contact	3M 1B	M	B	M	M			
⊖⊖ c/o contact	2M 2B	B	B	M	M			
⊖⊖ ext. conn	1M 3B	B	B	M	B			
⊖⊖ plug bridge - shorting	4B	B	B	B	B			
⊖⊖ metering point	4M(HD)	M+	M+	M+	M+			
⊖⊖ 5Kv barrier	2M(HD) 2M	M+	M+	M	M			
⊖⊖ test socket - shorting	2M(HD) 2B(STD)	M+	M+	B	B			
⊖⊖ plug & socket	2M(HD) 1M1B(STD)	M+	M+	M	B			
	2M(HD) 2B(HD)	M+	M+	+B	+B			
	3M(HD) 1B(HD)	M+	M+	M+	+B			
	1M(HD) 2M1B(STD)	M+	M	M	B			
	1M(HD) 3MOB(STD)	M+	M	M	M			
	2M(STD) 2B(HD)	M	M	+B	+B			



NOT SUBJECT TO UPDATE  
ONCE COPIED / PRINTED  
OR DOWNLOADED

FRAME REFERENCE: E4FE02.

FRAME TERMINAL BLOCK ASSY: -

ASSEMBLY INSTRUCTIONS: -  
TYPICAL ASSEMBLY DRAWING 2995G10032.  
AT INDICATED POSITIONS FIT AS FOLLOWS:  
T - FIT TRIP ISOLATION CONTACT 2995B10053  
S - FIT STANDARD CONTACT 2995B10054  
SECURE CONTACTS USING FIXING SCREW 2109F99009.  
POSITIONS SHOWN BLANK ARE UNUSED

2	T	T	1
4	T	T	3
6	T	T	5
8	T	T	7
10			9
12			11
14	S	S	13
16	T	T	15
18	T	T	17
20	T	T	19
22	T	T	21
24			23
26			25
28	S	S	27

VIEW FROM NUMBERED SIDE OF BLOCK

OUTER TERMINAL BLOCK ASSY: -

ASSEMBLY INSTRUCTIONS: -  
TYPICAL ASSEMBLY DRAWING 2995G10029.  
AT INDICATED POSITIONS FIT AS FOLLOWS:  
S - FIT STANDARD CONTACT 2995B10051  
HC - FIT 'HEAVY CURRENT' KIT 2995G10030  
WHERE ⊖⊖ IS SHOWN FIT CT SHORTING  
KIT 2995G10031  
POSITIONS SHOWN BLANK ARE UNUSED.  
ALL POSITIONS FIT SCREW 2106F12506.

2	S	S	1
4	S	S	3
6	S	S	5
8	S	S	7
10			9
12			11
14	S	S	13
16	S	S	15
18	S	S	17
20	S	S	19
22	S	S	21
24			23
26			25
28	S	S	27

VIEW FROM INSIDE FACE

7	20/01/10	MN112/3238	SIEMENS PROTECTION DEVICES LTD.	Original Scale.	First used on:
					Similar Articles:
ISSUE	DATE	MOD.No.			Supersedes:
					Drq.No.
					2112W50097

DRAWN: A.LAW.	CHECKED: RD.WATSON	APPROVED: RD.WATSON	DATE: 20/01/2010	IE:	OPS:
---------------	--------------------	---------------------	------------------	-----	------